



COPYRIGHT©
This Drawing and parts thereof are copyright to Southern Land Ltd. and shall not be reused, copied or reproduced without the written permission of Southern Land Ltd.

Notes
Warning
This Plan has been prepared for the purpose of a resource consent application and sales contracts only. It is not a precise survey plan. As areas and dimensions are likely to vary upon survey it should not be attached to sale and purchase agreements without an appropriate condition to cover such variations.

Any person using Southern Land drawings and other data accepts the risk of:
- using the drawings and other data in electronic form without requesting and checking them for accuracy against the original hard copy versions or with Southern Land directly;
- ensuring the information is the most recent issue.
Service easements shown on this plan are not necessarily exhaustive.

APPLICANT	Universal Developments
COMPRISED IN	CT 180128
TERRITORIAL AUTHORITY	QLDC
LAND DISTRICT	Otago
TOTAL AREA	34.467 Ha
DATE	29/03/2021

Drawing Title
SCHEME PLAN
Lots 1 - 479, 600 - 601,
700 - 707, 800 - 812 & 998 - 999
Being a Proposed Subdivision of
Lot 2 DP 343855
Overall Layout

Prepared for
For Resource Consent

REV	DESCRIPTION	DATE
C	Scheme Updated	06/02/2020
D	Scheme change and Update	02/03/2020
E	Scheme change and Update	19/06/2020
F	Schedule Easement in Gross Updated	11/08/2020
G	Amalgamation Condition Updated	15/10/2020
H	Pond Easements Added	28/10/2020
I	Lot 163, 170, 190, 191, 258, 259 Updated	23/02/2021
J	Scheme Change and Update	29/03/2021

SCALE
1:2500 @ A3

DATUM & LEVEL
Lindis Peak 2000
LEVEL IN TERMS OF Dunedin Vertical Datum 1958
ORIGIN: RL

DRAWING REFERENCE	U4266	SHEET	S1	REVISION	J
SURVEYED	-	DRAWN	JL	CHECKED	LW
APPROVED	LW	DATE	29/03/2021		

SOUTHERN LAND
DEVELOPMENT CONSULTANTS



Note:

- Lot 700 to Lot 704 to be vested in the Queenstown Lake District Council as Local Purpose Reserve (Stormwater & Access)
- Lot 705 & Lot 706 to be vested in the Queenstown Lake District Council as Local Purpose Reserve (Stormwater & Recreation)
- Lot 707 to be vested in the Queenstown Lake District Council as Local Purpose Reserve (Wastewater)
- Lot 800 to Lot 812 are to vest in the Queenstown Lakes District Council as Road

Amalgamation Conditions:

- That Lot 998 hereon and Lot 1 DP 541414 (RT909889) be held in one Record of Title (see CSN Request 1652004)
- That Lot 999 hereon and Lot 1 DP 343855 (RT180127) be held in one Record of Title (see CSN Request 1652004)
- That Lot 117, 128, 147, 159, 162 and 171 hereon be held in the same Record of Title (see CSN Request 1652004)
- That Lot 8 and Lot 479 hereon be held in the same Record of Title
- That Lot 1 - 7, 9, 10 hereon be held in the same Record of Title (see CSN Request 1652004)

Schedule of Easements			
Purpose	Shown	Burdened Land	Benefitted Land
Right of Way	A	Lot 25 Hereon	Lot 23, 24, 28 & 29 Hereon
	B	Lot 61 Hereon	Lot 58, 59, 60, 62 & 63 Hereon
	C	Lot 106 Hereon	Lot 88, 87, 107, 108 & 109 Hereon
	D	Lot 159 Hereon	Lot 160 & 161 Hereon
	M	Lot 69 Hereon	Lot 70 & 71 Hereon
	N	Lot 86 Hereon	Lot 84 & 85 Hereon
	Y	Lot 166 Hereon	Lot 167 Hereon
	Z	Lot 167 Hereon	Lot 166 Hereon
	AA	Lot 170 Hereon	Lot 172 Hereon
	AB	Lot 172 Hereon	Lot 170 Hereon
	AC	Lot 175 Hereon	Lot 176 Hereon
	AD	Lot 176 Hereon	Lot 175 Hereon
	AE	Lot 171 Hereon	Lot 179 Hereon
Schedule of Easements in Gross			
Purpose	Shown	Burdened Land	Grantee
Right to Drain Water	E	Lot 147 Hereon	Queenstown Lakes District Council
	F	Lot 998 Hereon	Queenstown Lakes District Council
	G	Lot 117 Hereon	Queenstown Lakes District Council
	H	Lot 998 Hereon	Queenstown Lakes District Council
	I	Lot 128 Hereon	Queenstown Lakes District Council
	J	Lot 998 Hereon	Queenstown Lakes District Council
	K	Lot 159 Hereon	Queenstown Lakes District Council
	L	Lot 998 Hereon	Queenstown Lakes District Council
	O	Lot 807 Hereon	Queenstown Lakes District Council
	P	Lot 809 Hereon	Queenstown Lakes District Council
	Q	Lot 810 Hereon	Queenstown Lakes District Council
	R	Lot 811 Hereon	Queenstown Lakes District Council
	S	Lot 118 Hereon	Queenstown Lakes District Council
T	Lot 119 Hereon	Queenstown Lakes District Council	
UVWX	Lot 1 DP541414 Hereon	Queenstown Lakes District Council	



COPYRIGHT©
 This Drawing and parts thereof are copyright to Southern Land Ltd. and shall not be reused, copied or reproduced without the written permission of Southern Land Ltd.

Notes
Warning
 This Plan has been prepared for the purpose of a resource consent application and sales contracts only. It is not a precise survey plan. As areas and dimensions are likely to vary upon survey it should not be attached to sale and purchase agreements without an appropriate condition to cover such variations.

Any person using Southern Land drawings and other data accepts the risk of:

- using the drawings and other data in electronic form without requesting and checking them for accuracy against the original hard copy versions or with Southern Land directly;
- ensuring the information is the most recent issue.

Service easements shown on this plan are not necessarily exhaustive.

APPLICANT
Universal Developments

COMPRISED IN
CT 180128

TERRITORIAL AUTHORITY
QLDC

LAND DISTRICT
Otago

TOTAL AREA
34.467 Ha DATE
29/03/2021

Drawing Title
SCHEME PLAN
Lots 1 - 479, 600 - 601,
700 - 707, 800 - 812 & 998 - 999
Being a Proposed Subdivision of
Lot 2 DP 343855
Detail

Prepared for
For Resource Consent

Plan Revisions

REV	DESCRIPTION	DATE
C	Scheme Updated	06/02/2020
D	Scheme change and Update	02/03/2020
E	Scheme change and Update	19/06/2020
F	Schedule Easement in Gross Updated	11/08/2020
G	Amalgamation Condition Updated	15/10/2020
H	Pond Easements Added	28/10/2020
I	Lot 163, 170, 190, 191, 258, 259 Updated	23/02/2021
J	Scheme Change and Update	29/03/2021

SCALE
1:1250 @ A3

DATUM & LEVEL
Lindis Peak 2000
LEVEL IN TERMS OF DUNEDIN VERTICAL DATUM 1958
ORIGIN: RL

DRAWING REFERENCE
U4266 SHEET
S2 REVISION
J

SURVEYED
 - DRAWN
JL CHECKED
LW APPROVED
LW DATE
29/03/2021



- Note:**
- Lot 700 to Lot 704 to be vested in the Queenstown Lake District Council as Local Purpose Reserve (Stormwater & Access)
 - Lot 705 & Lot 706 to be vested in the Queenstown Lake District Council as Local Purpose Reserve (Stormwater & Recreation)
 - Lot 707 to be vested in the Queenstown Lake District Council as Local Purpose Reserve (Wastewater)
 - Lot 800 to Lot 812 are to vest in the Queenstown Lakes District Council as Road

- Amalgamation Conditions:**
- That Lot 998 hereon and Lot 1 DP 541414 (RT909889) be held in one Record of Title (see CSN Request 1652004)
 - That Lot 999 hereon and Lot 1 DP 343855 (RT180127) be held in one Record of Title (see CSN Request 1652004)
 - That Lot 117, 128, 147, 159, 162 and 171 hereon be held in the same Record of Title (see CSN Request 1652004)
 - That Lot 8 and Lot 479 hereon be held in the same Record of Title
 - That Lot 1 - 7, 9, 10 hereon be held in the same Record of Title (see CSN Request 1652004)





COPYRIGHT©
 This Drawing and parts thereof are copyright to Southern Land Ltd. and shall not be reused, copied or reproduced without the written permission of Southern Land Ltd.

Notes
Warning
 This Plan has been prepared for the purpose of a resource consent application and sales contracts only. It is not a precise survey plan. As areas and dimensions are likely to vary upon survey it should not be attached to sale and purchase agreements without an appropriate condition to cover such variations.

Any person using Southern Land drawings and other data accepts the risk of:
 - using the drawings and other data in electronic form without requesting and checking them for accuracy against the original hard copy versions or with Southern Land directly;
 - ensuring the information is the most recent issue.
 Service easements shown on this plan are not necessarily exhaustive.

APPLICANT
Universal Developments

COMPRISED IN
CT 180128

TERRITORIAL AUTHORITY
QLDC

LAND DISTRICT
Otago

TOTAL AREA
34.467 Ha DATE
29/03/2021

Drawing Title
SCHEME PLAN
Lots 1 - 479, 600 - 601,
700 - 707, 800 - 812 & 998 - 999
Being a Proposed Subdivision of
Lot 2 DP 343855
Detail

Prepared for
For Resource Consent

Plan Revisions

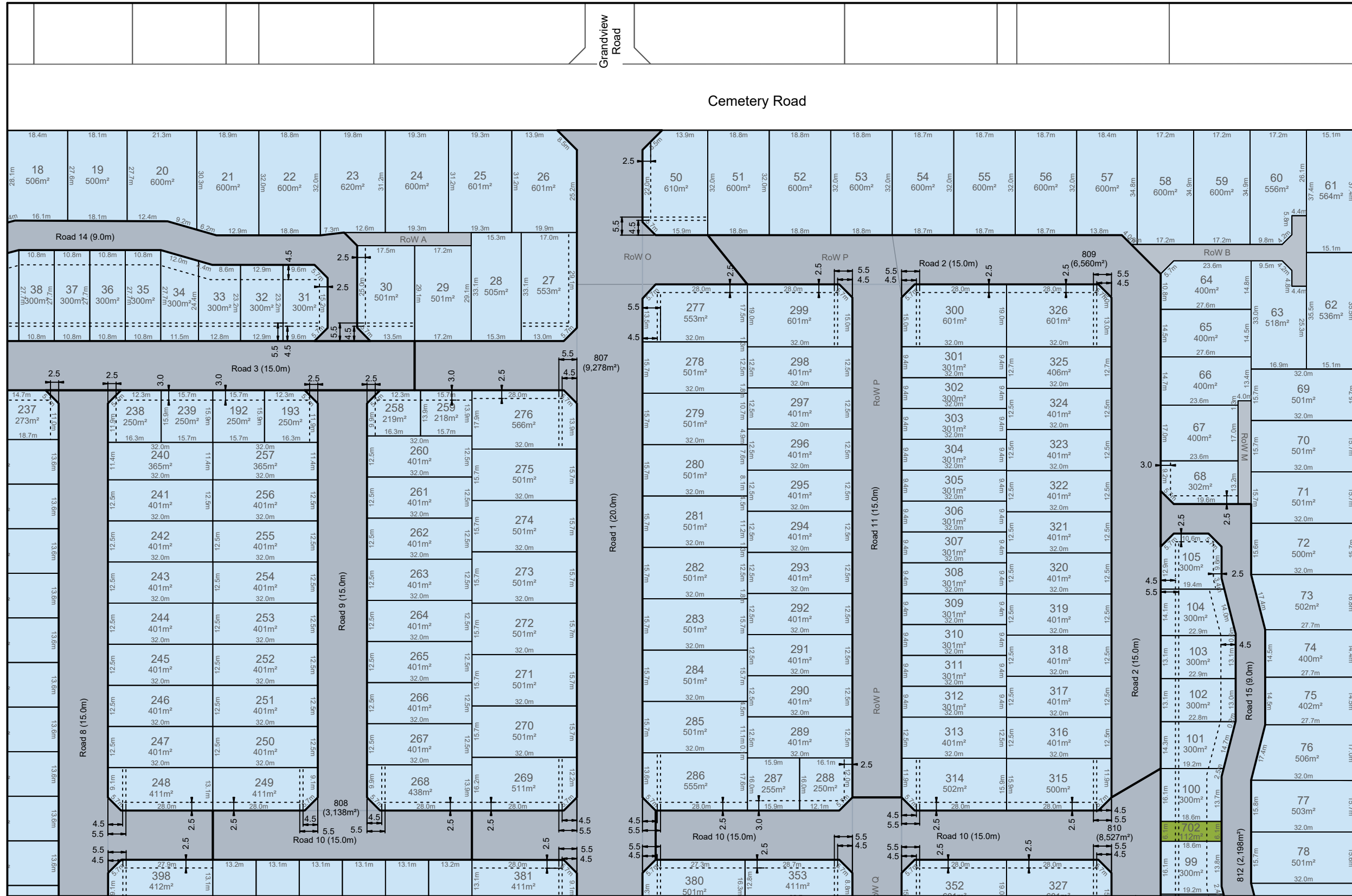
REV	DESCRIPTION	DATE
C	Scheme Updated	06/02/2020
D	Scheme change and Update	02/03/2020
E	Scheme change and Update	19/06/2020
F	Schedule Easement in Gross Updated	11/08/2020
G	Amalgamation Condition Updated	15/10/2020
H	Pond Easements Added	28/10/2020
I	Lot 163, 170, 190, 191, 258, 259 Updated	23/02/2021
J	Scheme Change and Update	29/03/2021

SCALE
1:1250 @ A3

DATUM & LEVEL
Landis Peak 2000
 LEVEL IN TERMS OF Dunedin Vertical Datum 1958
 ORIGIN: RL=

DRAWING REFERENCE
U4266 SHEET
S3 REVISION
J

SURVEYED - DRAWN - CHECKED - APPROVED - DATE
 - JL - LW - LW - 29/03/2021



Section 6 Block IV
 Lower Hawea SD
 Lot Boundary

Cemetery Road

Grandview Road

Note:

- Lot 700 to Lot 704 to be vested in the Queenstown Lake District Council as Local Purpose Reserve (Stormwater & Access)
- Lot 705 & Lot 706 to be vested in the Queenstown Lake District Council as Local Purpose Reserve (Stormwater & Recreation)
- Lot 707 to be vested in the Queenstown Lake District Council as Local Purpose Reserve (Wastewater)
- Lot 800 to Lot 812 are to vest in the Queenstown Lakes District Council as Road

Amalgamation Conditions:

- That Lot 998 hereon and Lot 1 DP 541414 (RT909889) be held in one Record of Title (see CSN Request 1652004)
- That Lot 999 hereon and Lot 1 DP 343855 (RT180127) be held in one Record of Title (see CSN Request 1652004)
- That Lot 117, 128, 147, 159, 162 and 171 hereon be held in the same Record of Title (see CSN Request 1652004)
- That Lot 8 and Lot 479 hereon be held in the same Record of Title
- That Lot 1 - 7, 9, 10 hereon be held in the same Record of Title (see CSN Request 1652004)



Schedule of Easements

Purpose	Shown	Burdened Land	Benefited Land
Right of Way	A	Lot 25 Hereon	Lot 23, 24, 28 & 29 Hereon
	B	Lot 61 Hereon	Lot 58, 59, 60, 62 & 63 Hereon
	C	Lot 106 Hereon	Lot 88, 87, 107, 108 & 109 Hereon
	D	Lot 159 Hereon	Lot 160 & 161 Hereon
	M	Lot 69 Hereon	Lot 70 & 71 Hereon
	N	Lot 86 Hereon	Lot 84 & 85 Hereon
	Y	Lot 166 Hereon	Lot 167 Hereon
	Z	Lot 167 Hereon	Lot 166 Hereon
	AA	Lot 170 Hereon	Lot 172 Hereon
	AB	Lot 172 Hereon	Lot 170 Hereon
	AC	Lot 175 Hereon	Lot 176 Hereon
	AD	Lot 176 Hereon	Lot 175 Hereon
	AE	Lot 171 Hereon	Lot 179 Hereon

Schedule of Easements in Gross

Purpose	Shown	Burdened Land	Grantee
Right to Drain Water	E	Lot 147 Hereon	Queenstown Lakes District Council
	F	Lot 998 Hereon	Queenstown Lakes District Council
	G	Lot 117 Hereon	Queenstown Lakes District Council
	H	Lot 998 Hereon	Queenstown Lakes District Council
	I	Lot 128 Hereon	Queenstown Lakes District Council
	J	Lot 998 Hereon	Queenstown Lakes District Council
	K	Lot 159 Hereon	Queenstown Lakes District Council
	L	Lot 998 Hereon	Queenstown Lakes District Council
	O	Lot 807 Hereon	Queenstown Lakes District Council
	P	Lot 809 Hereon	Queenstown Lakes District Council
	Q	Lot 810 Hereon	Queenstown Lakes District Council
Right of Way	R	Lot 811 Hereon	Queenstown Lakes District Council
	S	Lot 118 Hereon	Queenstown Lakes District Council
	T	Lot 119 Hereon	Queenstown Lakes District Council
	U	Lot 119 Hereon	Queenstown Lakes District Council
	UWWX	Lot 1 DP541414 Hereon	Queenstown Lakes District Council



COPYRIGHT©
 This Drawing and parts thereof are copyright to Southern Land Ltd. and shall not be reused, copied or reproduced without the written permission of Southern Land Ltd.

Notes
Warning
 This Plan has been prepared for the purpose of a resource consent application and sales contracts only. It is not a precise survey plan. As areas and dimensions are likely to vary upon survey it should not be attached to sale and purchase agreements without an appropriate condition to cover such variations.

Any person using Southern Land drawings and other data accepts the risk of:
 - using the drawings and other data in electronic form without requesting and checking them for accuracy against the original hard copy versions or with Southern Land directly;
 - ensuring the information is the most recent issue.

Service easements shown on this plan are not necessarily exhaustive.

APPLICANT
Universal Developments

COMPRISED IN
CT 180128

TERRITORIAL AUTHORITY
QLDC

LAND DISTRICT
Otago

TOTAL AREA
34.467 Ha DATE
29/03/2021

Drawing Title
SCHEME PLAN
Lots 1 - 479, 600 - 601,
700 - 707, 800 - 812 & 998 - 999
Being a Proposed Subdivision of
Lot 2 DP 343855
Detail

Prepared for
For Resource Consent

Plan Revisions

REV	DESCRIPTION	DATE
C	Scheme Updated	06/02/2020
D	Scheme change and Update	02/03/2020
E	Scheme change and Update	19/06/2020
F	Schedule Easement in Gross Updated	11/08/2020
G	Amalgamation Condition Updated	15/10/2020
H	Pond Easements Added	28/10/2020
I	Lot 163, 170, 190, 191, 258, 259 Updated	23/02/2021
J	Scheme Change and Update	29/03/2021

SCALE
1:1250 @ A3

DATUM & LEVEL
Lindis Peak 2000
LEVEL IN TERMS OF DUNEDIN VERTICAL DATUM 1958
ORIGIN: RL

DRAWING REFERENCE
U4266 SHEET **S4** REVISION **J**

SURVEYED - DRAWN JL CHECKED LW APPROVED LW DATE 29/03/2021



Note:

- Lot 700 to Lot 704 to be vested in the Queenstown Lake District Council as Local Purpose Reserve (Stormwater & Access)
- Lot 705 & Lot 706 to be vested in the Queenstown Lake District Council as Local Purpose Reserve (Stormwater & Recreation)
- Lot 707 to be vested in the Queenstown Lake District Council as Local Purpose Reserve (Wastewater)
- Lot 800 to Lot 812 are to vest in the Queenstown Lakes District Council as Road

Amalgamation Conditions:

- That Lot 998 hereon and Lot 1 DP 541414 (RT909889) be held in one Record of Title (see CSN Request 1652004)
- That Lot 999 hereon and Lot 1 DP 343855 (RT180127) be held in one Record of Title (see CSN Request 1652004)
- That Lot 117, 128, 147, 159, 162 and 171 hereon be held in the same Record of Title (see CSN Request 1652004)
- That Lot 8 and Lot 479 hereon be held in the same Record of Title
- That Lot 1 - 7, 9, 10 hereon be held in the same Record of Title (see CSN Request 1652004)

Schedule of Easements			
Purpose	Shown	Burdened Land	Benefitted Land
Right of Way	A	Lot 25 Hereon	Lot 23, 24, 28 & 29 Hereon
	B	Lot 61 Hereon	Lot 58, 59, 60, 62 & 63 Hereon
	C	Lot 106 Hereon	Lot 88, 87, 107, 108 & 109 Hereon
	D	Lot 159 Hereon	Lot 160 & 161 Hereon
	M	Lot 69 Hereon	Lot 70 & 71 Hereon
	N	Lot 86 Hereon	Lot 84 & 85 Hereon
	Y	Lot 166 Hereon	Lot 167 Hereon
	Z	Lot 167 Hereon	Lot 166 Hereon
	AA	Lot 170 Hereon	Lot 172 Hereon
	AB	Lot 172 Hereon	Lot 170 Hereon
AC	Lot 175 Hereon	Lot 176 Hereon	
AD	Lot 176 Hereon	Lot 175 Hereon	
AE	Lot 171 Hereon	Lot 179 Hereon	
Schedule of Easements in Gross			
Purpose	Shown	Burdened Land	Grantee
Right to Drain Water	E	Lot 147 Hereon	Queenstown Lakes District Council
	F	Lot 998 Hereon	Queenstown Lakes District Council
	G	Lot 117 Hereon	Queenstown Lakes District Council
	H	Lot 998 Hereon	Queenstown Lakes District Council
	I	Lot 128 Hereon	Queenstown Lakes District Council
	J	Lot 998 Hereon	Queenstown Lakes District Council
	K	Lot 159 Hereon	Queenstown Lakes District Council
	L	Lot 998 Hereon	Queenstown Lakes District Council
	O	Lot 807 Hereon	Queenstown Lakes District Council
	P	Lot 809 Hereon	Queenstown Lakes District Council
Q	Lot 810 Hereon	Queenstown Lakes District Council	
R	Lot 811 Hereon	Queenstown Lakes District Council	
S	Lot 118 Hereon	Queenstown Lakes District Council	
T	Lot 119 Hereon	Queenstown Lakes District Council	
UVWX	Lot 1 DP541414 Hereon	Queenstown Lakes District Council	



Section 6 Block IV
Lower Hawea SD

Lot Boundary

COPYRIGHT
This Drawing and parts thereof are copyright to Southern Land Ltd. and shall not be reused, copied or reproduced without the written permission of Southern Land Ltd.

Notes
Warning
This Plan has been prepared for the purpose of a resource consent application and sales contracts only. It is not a precise survey plan. As areas and dimensions are likely to vary upon survey it should not be attached to sale and purchase agreements without an appropriate condition to cover such variations.

Any person using Southern Land drawings and other data accepts the risk of:
- using the drawings and other data in electronic form without requesting and checking them for accuracy against the original hard copy versions or with Southern Land directly;
- ensuring the information is the most recent issue.
Service easements shown on this plan are not necessarily exhaustive.

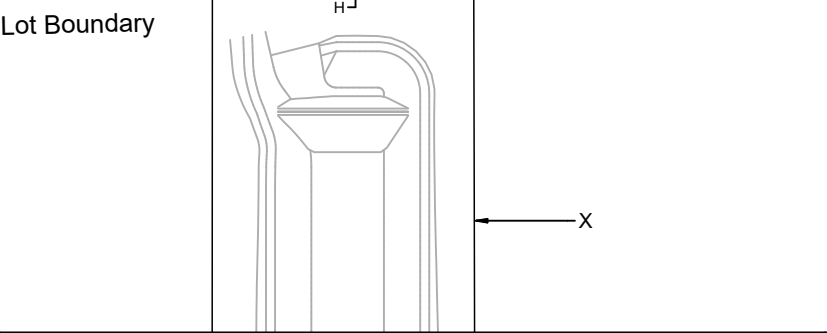
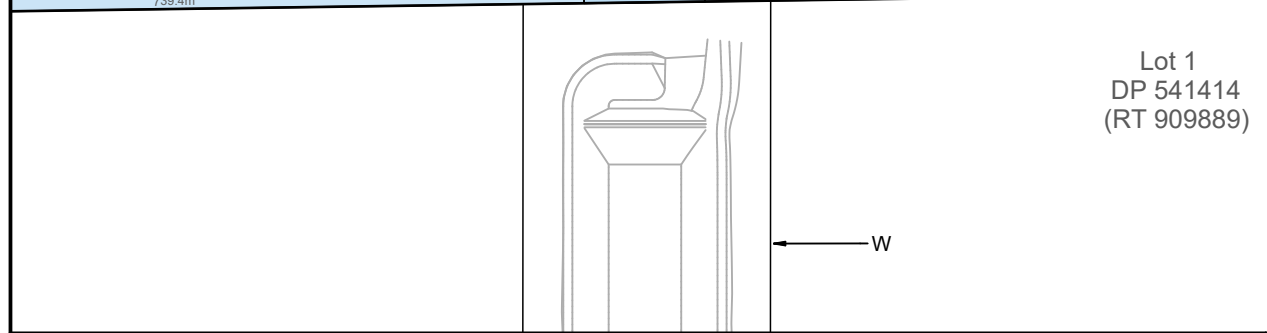
APPLICANT	Universal Developments
COMPRISED IN	CT 180128
TERRITORIAL AUTHORITY	QLDC
LAND DISTRICT	Otago
TOTAL AREA	34.467 Ha
DATE	29/03/2021

Drawing Title
SCHEME PLAN
Lots 1 - 479, 600 - 601,
700 - 707, 800 - 812 & 998 - 999
Being a Proposed Subdivision of
Lot 2 DP 343855
Detail

Prepared for
For Resource Consent

REV	DESCRIPTION	DATE
C	Scheme Updated	06/02/2020
D	Scheme change and Update	02/03/2020
E	Scheme change and Update	19/06/2020
F	Schedule Easement in Gross Updated	11/08/2020
G	Amalgamation Condition Updated	15/10/2020
H	Pond Easements Added	28/10/2020
I	Lot 163, 170, 190, 191, 258, 259 Updated	23/02/2021
J	Scheme Change and Update	29/03/2021

SCALE	1:1250 @ A3
DATUM & LEVEL	Lindis Peak 2000
LEVEL IN TERMS OF DUNEDIN VERTICAL DATUM 1958	ORIGIN: RL
DRAWING REFERENCE	U4266
SHEET	S5
REVISION	J
SURVEYED	JL
DRAWN	LW
CHECKED	LW
APPROVED	LW
DATE	29/03/2021



- Note:**
- Lot 700 to Lot 704 to be vested in the Queenstown Lake District Council as Local Purpose Reserve (Stormwater & Access)
 - Lot 705 & Lot 706 to be vested in the Queenstown Lake District Council as Local Purpose Reserve (Stormwater & Recreation)
 - Lot 707 to be vested in the Queenstown Lake District Council as Local Purpose Reserve (Wastewater)
 - Lot 800 to Lot 812 are to vest in the Queenstown Lakes District Council as Road
- Amalgamation Conditions:**
- That Lot 998 hereon and Lot 1 DP 541414 (RT909889) be held in one Record of Title (see CSN Request 1652004)
 - That Lot 999 hereon and Lot 1 DP 343855 (RT180127) be held in one Record of Title (see CSN Request 1652004)
 - That Lot 117, 128, 147, 159, 162 and 171 hereon be held in the same Record of Title (see CSN Request 1652004)
 - That Lot 8 and Lot 479 hereon be held in the same Record of Title
 - That Lot 1 - 7, 9, 10 hereon be held in the same Record of Title (see CSN Request 1652004)

Schedule of Easements			
Purpose	Shown	Burdened Land	Benefitted Land
Right of Way	A	Lot 25 Hereon	Lot 23, 24, 28 & 29 Hereon
	B	Lot 61 Hereon	Lot 58, 59, 60, 62 & 63 Hereon
	C	Lot 106 Hereon	Lot 88, 87, 107, 108 & 109 Hereon
	D	Lot 159 Hereon	Lot 160 & 161 Hereon
	M	Lot 69 Hereon	Lot 70 & 71 Hereon
	N	Lot 86 Hereon	Lot 84 & 85 Hereon
	Y	Lot 166 Hereon	Lot 167 Hereon
	Z	Lot 167 Hereon	Lot 166 Hereon
	AA	Lot 170 Hereon	Lot 172 Hereon
	AB	Lot 172 Hereon	Lot 170 Hereon
	AC	Lot 175 Hereon	Lot 176 Hereon
	AD	Lot 176 Hereon	Lot 175 Hereon
	AE	Lot 171 Hereon	Lot 179 Hereon
Schedule of Easements in Gross			
Purpose	Shown	Burdened Land	Grantee
Right to Drain Water	E	Lot 147 Hereon	Queenstown Lakes District Council
	F	Lot 998 Hereon	Queenstown Lakes District Council
	G	Lot 117 Hereon	Queenstown Lakes District Council
	H	Lot 998 Hereon	Queenstown Lakes District Council
	I	Lot 128 Hereon	Queenstown Lakes District Council
	J	Lot 998 Hereon	Queenstown Lakes District Council
	K	Lot 159 Hereon	Queenstown Lakes District Council
	L	Lot 998 Hereon	Queenstown Lakes District Council
	O	Lot 807 Hereon	Queenstown Lakes District Council
	P	Lot 809 Hereon	Queenstown Lakes District Council
Right of Way	Q	Lot 810 Hereon	Queenstown Lakes District Council
	R	Lot 811 Hereon	Queenstown Lakes District Council
	S	Lot 118 Hereon	Queenstown Lakes District Council
	T	Lot 119 Hereon	Queenstown Lakes District Council
	UV	Lot 119 Hereon	Queenstown Lakes District Council
	VW	Lot 119 Hereon	Queenstown Lakes District Council
	UVWX	Lot 1 DP 541414 Hereon	Queenstown Lakes District Council

