



**COPYRIGHT©**  
This Drawing and parts thereof are copyright to Southern Land Ltd. and shall not be reused, copied or reproduced without the written permission of Southern Land Ltd.

**Notes**  
**Warning**  
This Plan has been prepared for the purpose of a resource consent application and sales contracts only. It is not a precise survey plan. As areas and dimensions are likely to vary upon survey it should not be attached to sale and purchase agreements without an appropriate condition to cover such variations.

Any person using Southern Land drawings and other data accepts the risk of:  
- using the drawings and other data in electronic form without requesting and checking them for accuracy against the original hard copy versions or with Southern Land directly;  
- ensuring the information is the most recent issue.  
Service easements shown on this plan are not necessarily exhaustive.

APPLICANT  
**Universal Developments**

COMPRISED IN  
**CT 180128**

TERRITORIAL AUTHORITY  
**QLDC**

LAND DISTRICT  
**Otago**

TOTAL AREA  
**34.467 Ha**

DATE  
**15/12/2021**

Drawing Title  
**SCHEME PLAN**  
**Lots 1 - 109, 111 - 491, 600 - 601,**  
**700 - 707, 800 - 812 & 998 - 999**  
**Being a Proposed Subdivision of**  
**Lot 2 DP 343855**  
**Overall Layout**

Prepared for  
**For Resource Consent**

Plan Revisions

REV	DESCRIPTION	DATE
F	Schedule Easement in Gross Updated	11/08/2020
G	Amalgamation Condition Updated	15/10/2020
H	Pond Easements Added	28/10/2020
I	Lot 163, 170, 190, 191, 258, 259 Updated	23/02/2021
J	Scheme update Lot 163 to Lot 179	01/04/2021
K	Scheme update Lot 481 to 491 added	03/09/2021
L	Scheme update lot added to Stage 1A	01/11/2021
M	Scheme update Lot 111, Lot 110 deleted	15/12/2021

SCALE  
**1:2500 @ A3**

DATUM & LEVEL  
**Lindis Peak 2000**  
LEVEL IN TERMS OF Dunedin Vertical Datum 1958  
ORIGIN: RL

DRAWING REFERENCE  
**U4266**

SHEET  
**S1**

REVISION  
**M**

SURVEYED  
**-**

DRAWN  
**JL**

CHECKED  
**LW**

APPROVED  
**LW**

DATE  
**15/12/2021**



**Note:**

- Lot 700 to Lot 704 to be vested in the Queenstown Lake District Council as Local Purpose Reserve (Stormwater & Access)
- Lot 705 & Lot 706 to be vested in the Queenstown Lake District Council as Local Purpose Reserve (Stormwater & Recreation)
- Lot 707 to be vested in the Queenstown Lake District Council as Local Purpose Reserve (Wastewater)
- Lot 800 to Lot 812 are to vest in the Queenstown Lakes District Council as Road

**Amalgamation Conditions:**

- That Lot 998 hereon and Lot 1 DP 541414 (RT909889) be held in one Record of Title (see CSN Request 1652004)
- That Lot 999 hereon and Lot 1 DP 343855 (RT180127) be held in one Record of Title (see CSN Request 1652004)
- That Lot 111, 117, 128, 147, 159, 162 and 171 hereon be held in the same Record of Title (see CSN Request 1652004)
- That Lot 8 and Lot 479 hereon be held in the same Record of Title
- That Lot 1 - 7, 9, 10 hereon be held in the same Record of Title (see CSN Request 1652004)

Schedule of Easements			
Purpose	Shown	Burdened Land	Benefitted Land
Right of Way	A	Lot 25 Hereon	Lot 23, 24, 28 & 29 Hereon
	B	Lot 61 Hereon	Lot 58, 59, 60, 62 & 63 Hereon
	C	Lot 106 Hereon	Lot 88, 87, 107, 108 & 109 Hereon
	D	Lot 159 Hereon	Lot 160 & 161 Hereon
	M	Lot 69 Hereon	Lot 70 & 71 Hereon
	N	Lot 86 Hereon	Lot 84 & 85 Hereon
	Y	Lot 166 Hereon	Lot 167 Hereon
	Z	Lot 167 Hereon	Lot 166 Hereon
	AA	Lot 170 Hereon	Lot 172 Hereon
	AB	Lot 172 Hereon	Lot 170 Hereon
	AC	Lot 175 Hereon	Lot 176 Hereon
	AD	Lot 176 Hereon	Lot 175 Hereon
	AE	Lot 171 Hereon	Lot 179 Hereon

Schedule of Easements in Gross			
Purpose	Shown	Burdened Land	Grantee
Right to Drain Water	E	Lot 147 Hereon	Queenstown Lakes District Council
	F	Lot 998 Hereon	Queenstown Lakes District Council
	G	Lot 117 Hereon	Queenstown Lakes District Council
	H	Lot 998 Hereon	Queenstown Lakes District Council
	I	Lot 128 Hereon	Queenstown Lakes District Council
	J	Lot 998 Hereon	Queenstown Lakes District Council
	K	Lot 159 Hereon	Queenstown Lakes District Council
	L	Lot 998 Hereon	Queenstown Lakes District Council
	O	Lot 807 Hereon	Queenstown Lakes District Council
	P	Lot 809 Hereon	Queenstown Lakes District Council
	Q	Lot 810 Hereon	Queenstown Lakes District Council
	R	Lot 811 Hereon	Queenstown Lakes District Council
	S	Lot 118 Hereon	Queenstown Lakes District Council
T	Lot 119 Hereon	Queenstown Lakes District Council	
UVWX	Lot 1 DP541414 Hereon	Queenstown Lakes District Council	

**COPYRIGHT©**  
This Drawing and parts thereof are copyright to Southern Land Ltd. and shall not be reused, copied or reproduced without the written permission of Southern Land Ltd.

**Notes**  
**Warning**  
This Plan has been prepared for the purpose of a resource consent application and sales contracts only. It is not a precise survey plan. As areas and dimensions are likely to vary upon survey it should not be attached to sale and purchase agreements without an appropriate condition to cover such variations.

Any person using Southern Land Drawings and other data accepts the risk of:

- using the drawings and other data in electronic form without requesting and checking them for accuracy against the original hard copy versions or with Southern Land directly;
- ensuring the information is the most recent issue.

Service easements shown on this plan are not necessarily exhaustive.

APPLICANT  
**Universal Developments**

COMPRISED IN  
**CT 180128**

TERRITORIAL AUTHORITY  
**QLDC**

LAND DISTRICT  
**Otago**

TOTAL AREA  
**34.467 Ha**      DATE  
**15/12/2021**

Drawing Title  
**SCHEME PLAN**  
**Lots 1 - 109, 111 - 491, 600 - 601,**  
**700 - 707, 800 - 812 & 998 - 999**  
**Being a Proposed Subdivision of**  
**Lot 2 DP 343855**  
**Detail**

Prepared for  
**For Resource Consent**

Plan Revisions

REV	DESCRIPTION	DATE
F	Schedule Easement in Gross Updated	11/08/2020
G	Amalgamation Condition Updated	15/10/2020
H	Pond Easements Added	28/10/2020
I	Lot 163, 170, 190, 191, 258, 259 Updated	23/02/2021
J	Scheme update Lot 163 to Lot 179	01/04/2021
K	Scheme update Lot 481 to 491 added	03/09/2021
L	Scheme update lot added to Stage 1A	01/11/2021
M	Scheme update Lot 111, Lot 110 deleted	15/12/2021

SCALE  
**1:1250 @ A3**

DATUM & LEVEL  
**Lindis Peak 2000**  
LEVEL IN TERMS OF Dunedin Vertical Datum 1958  
ORIGIN: RL=

DRAWING REFERENCE  
**U4266**      SHEET  
**S2**      REVISION  
**M**

SURVEYED  
-      DRAWN  
**JL**      CHECKED  
**LW**      APPROVED  
**LW**      DATE  
**15/12/2021**

**SOUTHERN LAND**  
DEVELOPMENT CONSULTANTS

U4266 UDL Havea SHA Scheme Wed Dec 15 14:56:03 2021

The plan shows a subdivision of land into 226 lots. Key features include:  
 - **Roads:** Road 1 (15.0m), Road 2 (15.0m), Road 3 (15.0m), Road 4 (20.0m), Road 5 (15.0m), Road 6 (15.0m), Road 7 (15.0m), Road 8 (15.0m), Road 14 (9.0m).  
 - **Service Centres:** Potential Township Service Centre (multiple locations).  
 - **Other Features:** Cemetery Road, Future Capell Ave, Sentinel Drive, Lot Boundary, Row AE.  
 - **Lot Areas:** Ranging from 411m² to 601m². Total area is 34.467 Ha.  
 - **Dimensions:** Various boundary dimensions are provided for each lot and road.

**Note:**

- Lot 700 to Lot 704 to be vested in the Queenstown Lake District Council as Local Purpose Reserve (Stormwater & Access)
- Lot 705 & Lot 706 to be vested in the Queenstown Lake District Council as Local Purpose Reserve (Stormwater & Recreation)
- Lot 707 to be vested in the Queenstown Lake District Council as Local Purpose Reserve (Wastewater)
- Lot 800 to Lot 812 are to vest in the Queenstown Lakes District Council as Road

**Amalgamation Conditions:**

- That Lot 998 hereon and Lot 1 DP 541414 (RT909889) be held in one Record of Title (see CSN Request 1652004)
- That Lot 999 hereon and Lot 1 DP 343855 (RT180127) be held in one Record of Title (see CSN Request 1652004)
- That Lot 111, 117, 128, 147, 159, 162 and 171 hereon be held in the same Record of Title (see CSN Request 1652004)
- That Lot 8 and Lot 479 hereon be held in the same Record of Title
- That Lot 1 - 7, 9, 10 hereon be held in the same Record of Title (see CSN Request 1652004)

**UNIVERSAL DEVELOPMENTS**

**LONGVIEW**  
— LAKE HAWEA —

Purpose	Shown	Burdened Land	Benefited Land
Right of Way	A	Lot 25 Hereon	Lot 23, 24, 28 & 29 Hereon
	B	Lot 61 Hereon	Lot 58, 59, 60, 62 & 63 Hereon
	C	Lot 106 Hereon	Lot 88, 87, 107, 108 & 109 Hereon
	D	Lot 159 Hereon	Lot 160 & 161 Hereon
	M	Lot 69 Hereon	Lot 70 & 71 Hereon
	N	Lot 86 Hereon	Lot 84 & 85 Hereon
	Y	Lot 166 Hereon	Lot 167 Hereon
	Z	Lot 167 Hereon	Lot 166 Hereon
	AA	Lot 170 Hereon	Lot 172 Hereon
	AB	Lot 172 Hereon	Lot 170 Hereon
AC	Lot 175 Hereon	Lot 176 Hereon	
AD	Lot 176 Hereon	Lot 175 Hereon	
AE	Lot 171 Hereon	Lot 179 Hereon	

Purpose	Shown	Burdened Land	Grantee
Right to Drain Water	E	Lot 147 Hereon	Queenstown Lakes District Council
	F	Lot 998 Hereon	Queenstown Lakes District Council
	G	Lot 117 Hereon	Queenstown Lakes District Council
	H	Lot 998 Hereon	Queenstown Lakes District Council
	I	Lot 128 Hereon	Queenstown Lakes District Council
	J	Lot 998 Hereon	Queenstown Lakes District Council
	K	Lot 159 Hereon	Queenstown Lakes District Council
	L	Lot 998 Hereon	Queenstown Lakes District Council
	O	Lot 807 Hereon	Queenstown Lakes District Council
	P	Lot 809 Hereon	Queenstown Lakes District Council
Q	Lot 810 Hereon	Queenstown Lakes District Council	
R	Lot 811 Hereon	Queenstown Lakes District Council	
S	Lot 118 Hereon	Queenstown Lakes District Council	
T	Lot 119 Hereon	Queenstown Lakes District Council	
UVWX	Lot 1 DP541414 Hereon	Queenstown Lakes District Council	





**COPYRIGHT©**  
 This Drawing and parts thereof are copyright to Southern Land Ltd. and shall not be reused, copied or reproduced without the written permission of Southern Land Ltd.

**Notes**  
**Warning**  
 This Plan has been prepared for the purpose of a resource consent application and sales contracts only. It is not a precise survey plan. As areas and dimensions are likely to vary upon survey it should not be attached to sale and purchase agreements without an appropriate condition to cover such variations.

Any person using Southern Land drawings and other data accepts the risk of:  
 - using the drawings and other data in electronic form without requesting and checking them for accuracy against the original hard copy versions or with Southern Land directly;  
 - ensuring the information is the most recent issue.

Service easements shown on this plan are not necessarily exhaustive.

APPLICANT  
**Universal Developments**

COMPRISED IN  
**CT 180128**

TERRITORIAL AUTHORITY  
**QLDC**

LAND DISTRICT  
**Otago**

TOTAL AREA  
**34.467 Ha**      DATE  
**15/12/2021**

Drawing Title  
**SCHEME PLAN**  
**Lots 1 - 109, 111 - 491, 600 - 601,**  
**700 - 707, 800 - 812 & 998 - 999**  
**Being a Proposed Subdivision of**  
**Lot 2 DP 343855**  
**Detail**

Prepared for  
**For Resource Consent**

Plan Revisions

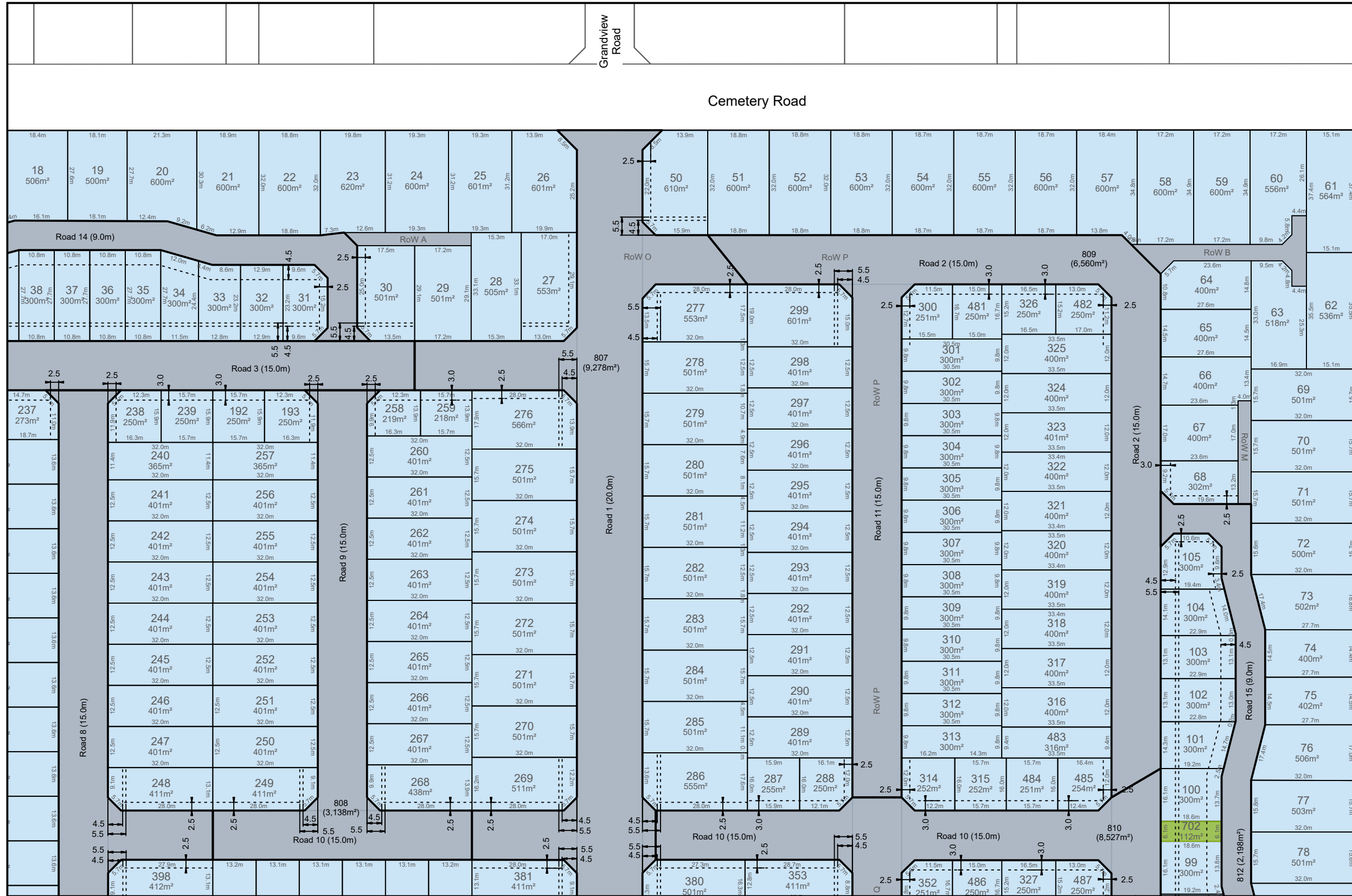
REV	DESCRIPTION	DATE
F	Schedule Easement in Gross Updated	11/08/2020
G	Amalgamation Condition Updated	15/10/2020
H	Pond Easements Added	28/10/2020
I	Lot 163, 170, 190, 191, 258, 259 Updated	23/02/2021
J	Scheme update Lot 163 to Lot 179	01/04/2021
K	Scheme update Lot 481 to 491 added	03/09/2021
L	Scheme update lot added to Stage 1A	01/11/2021
M	Scheme update Lot 111, Lot 110 deleted	15/12/2021

SCALE  
**1:1250 @ A3**

DATUM & LEVEL  
**Lindis Peak 2000**  
LEVEL IN TERMS OF Dunedin Vertical Datum 1958  
ORIGIN: RL=

DRAWING REFERENCE  
**U4266**      SHEET  
**S3**      REVISION  
**M**

SURVEYED  
 -      DRAWN  
 JL      CHECKED  
 LW      APPROVED  
 LW      DATE  
 15/12/2021



**Note:**

- Lot 700 to Lot 704 to be vested in the Queenstown Lake District Council as Local Purpose Reserve (Stormwater & Access)
- Lot 705 & Lot 706 to be vested in the Queenstown Lake District Council as Local Purpose Reserve (Stormwater & Recreation)
- Lot 707 to be vested in the Queenstown Lake District Council as Local Purpose Reserve (Wastewater)
- Lot 800 to Lot 812 are to vest in the Queenstown Lakes District Council as Road

**Amalgamation Conditions:**

- That Lot 998 hereon and Lot 1 DP 541414 (RT909889) be held in one Record of Title (see CSN Request 1652004)
- That Lot 999 hereon and Lot 1 DP 343855 (RT180127) be held in one Record of Title (see CSN Request 1652004)
- That Lot 111, 117, 128, 147, 159, 162 and 171 hereon be held in the same Record of Title (see CSN Request 1652004)
- That Lot 8 and Lot 479 hereon be held in the same Record of Title
- That Lot 1 - 7, 9, 10 hereon be held in the same Record of Title (see CSN Request 1652004)

Schedule of Easements			
Purpose	Shown	Burdened Land	Benefitted Land
Right of Way	A	Lot 25 Hereon	Lot 23, 24, 28 & 29 Hereon
	B	Lot 61 Hereon	Lot 58, 59, 60, 62 & 63 Hereon
	C	Lot 106 Hereon	Lot 88, 87, 107, 108 & 109 Hereon
	D	Lot 159 Hereon	Lot 160 & 161 Hereon
	M	Lot 69 Hereon	Lot 70 & 71 Hereon
	N	Lot 86 Hereon	Lot 84 & 85 Hereon
	Y	Lot 166 Hereon	Lot 167 Hereon
	Z	Lot 167 Hereon	Lot 166 Hereon
	AA	Lot 170 Hereon	Lot 172 Hereon
	AB	Lot 172 Hereon	Lot 170 Hereon
	AC	Lot 175 Hereon	Lot 176 Hereon
	AD	Lot 176 Hereon	Lot 175 Hereon
	AE	Lot 171 Hereon	Lot 179 Hereon

Schedule of Easements in Gross			
Purpose	Shown	Burdened Land	Grantee
Right to Drain Water	E	Lot 147 Hereon	Queenstown Lakes District Council
	F	Lot 998 Hereon	Queenstown Lakes District Council
	G	Lot 117 Hereon	Queenstown Lakes District Council
	H	Lot 998 Hereon	Queenstown Lakes District Council
	I	Lot 128 Hereon	Queenstown Lakes District Council
	J	Lot 998 Hereon	Queenstown Lakes District Council
	K	Lot 159 Hereon	Queenstown Lakes District Council
	L	Lot 998 Hereon	Queenstown Lakes District Council
	O	Lot 807 Hereon	Queenstown Lakes District Council
	P	Lot 809 Hereon	Queenstown Lakes District Council
	Q	Lot 810 Hereon	Queenstown Lakes District Council
	R	Lot 811 Hereon	Queenstown Lakes District Council
	S	Lot 118 Hereon	Queenstown Lakes District Council
T	Lot 119 Hereon	Queenstown Lakes District Council	
UWXX	Lot 1 DP541414 Hereon	Queenstown Lakes District Council	





**COPYRIGHT©**  
 This Drawing and parts thereof are copyright to Southern Land Ltd. and shall not be reused, copied or reproduced without the written permission of Southern Land Ltd.

**Notes**  
**Warning**  
 This Plan has been prepared for the purpose of a resource consent application and sales contracts only. It is not a precise survey plan. As areas and dimensions are likely to vary upon survey it should not be attached to sale and purchase agreements without an appropriate condition to cover such variations.

Any person using Southern Land drawings and other data accepts the risk of:  
 - using the drawings and other data in electronic form without requesting and checking them for accuracy against the original hard copy versions or with Southern Land directly;  
 - ensuring the information is the most recent issue.

Service easements shown on this plan are not necessarily exhaustive.

APPLICANT  
**Universal Developments**

COMPRISED IN  
**CT 180128**

TERRITORIAL AUTHORITY  
**QLDC**

LAND DISTRICT  
**Otago**

TOTAL AREA  
**34.467 Ha** DATE  
**15/12/2021**

Drawing Title  
**SCHEME PLAN**  
**Lots 1 - 109, 111 - 491, 600 - 601,**  
**700 - 707, 800 - 812 & 998 - 999**  
**Being a Proposed Subdivision of**  
**Lot 2 DP 343855**  
**Detail**

Prepared for  
**For Resource Consent**

Plan Revisions

REV	DESCRIPTION	DATE
F	Schedule Easement in Gross Updated	11/08/2020
G	Amalgamation Condition Updated	15/10/2020
H	Pond Easements Added	28/10/2020
I	Lot 163, 170, 190, 191, 258, 259 Updated	23/02/2021
J	Scheme update Lot 163 to Lot 179	01/04/2021
K	Scheme update Lot 481 to 491 added	03/09/2021
L	Scheme update lot added to Stage 1A	01/11/2021
M	Scheme update Lot 111, Lot 110 deleted	15/12/2021

SCALE  
**1:1250 @ A3**

DATUM & LEVEL  
**Lindis Peak 2000**  
 LEVEL IN TERMS OF DUNEDIN VERTICAL DATUM 1958  
 ORIGIN: RL

DRAWING REFERENCE  
**U4266** SHEET  
**S4** REVISION  
**M**

SURVEYED  
 - DRAWN  
**JL** CHECKED  
**LW** APPROVED  
**LW** DATE  
**15/12/2021**



**Note:**

- Lot 700 to Lot 704 to be vested in the Queenstown Lake District Council as Local Purpose Reserve (Stormwater & Access)
- Lot 705 & Lot 706 to be vested in the Queenstown Lake District Council as Local Purpose Reserve (Stormwater & Recreation)
- Lot 707 to be vested in the Queenstown Lake District Council as Local Purpose Reserve (Wastewater)
- Lot 800 to Lot 812 are to vest in the Queenstown Lakes District Council as Road

**Amalgamation Conditions:**

- That Lot 998 hereon and Lot 1 DP 541414 (RT909889) be held in one Record of Title (see CSN Request 1652004)
- That Lot 999 hereon and Lot 1 DP 343855 (RT180127) be held in one Record of Title (see CSN Request 1652004)
- That Lot 111, 117, 128, 147, 159, 162 and 171 hereon be held in the same Record of Title (see CSN Request 1652004)
- That Lot 8 and Lot 479 hereon be held in the same Record of Title
- That Lot 1 - 7, 9, 10 hereon be held in the same Record of Title (see CSN Request 1652004)



Section 6 Block IV  
Lower Hawea SD

Lot Boundary

**COPYRIGHT©**  
This Drawing and parts thereof are copyright to Southern Land Ltd. and shall not be reused, copied or reproduced without the written permission of Southern Land Ltd.

**Notes**  
**Warning**  
This Plan has been prepared for the purpose of a resource consent application and sales contracts only. It is not a precise survey plan. As areas and dimensions are likely to vary upon survey it should not be attached to sale and purchase agreements without an appropriate condition to cover such variations.

Any person using Southern Land drawings and other data accepts the risk of:  
- using the drawings and other data in electronic form without requesting and checking them for accuracy against the original hard copy versions or with Southern Land directly;  
- ensuring the information is the most recent issue.  
Service easements shown on this plan are not necessarily exhaustive.

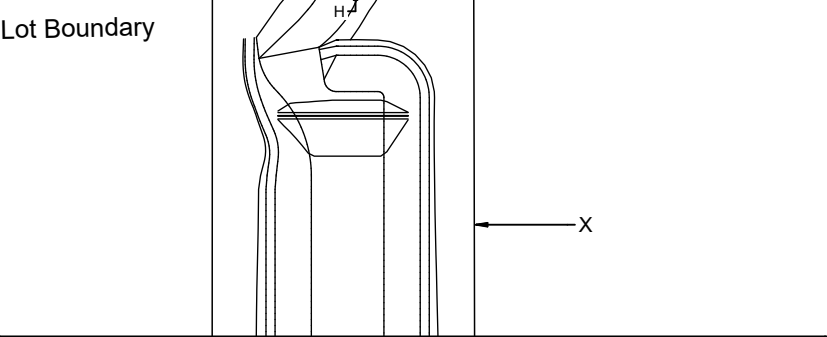
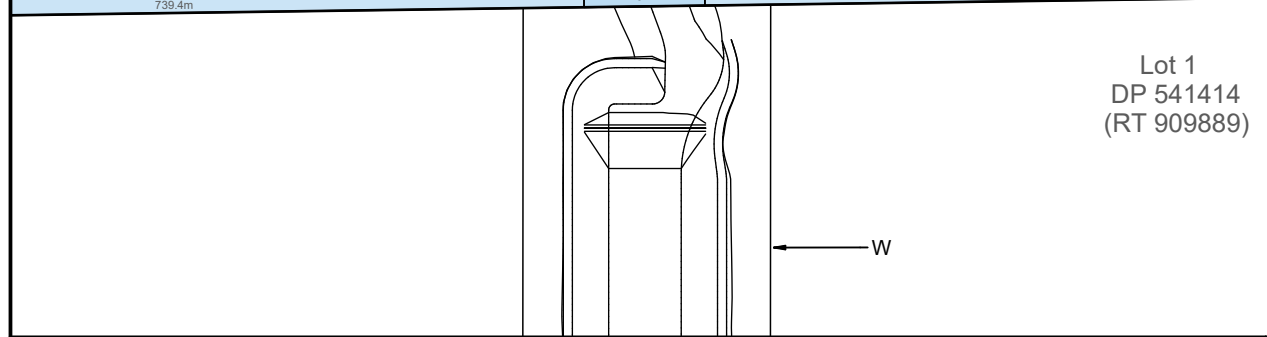
APPLICANT	<b>Universal Developments</b>
COMPRISED IN	<b>CT 180128</b>
TERRITORIAL AUTHORITY	<b>QLDC</b>
LAND DISTRICT	<b>Otago</b>
TOTAL AREA	<b>34.467 Ha</b>
DATE	<b>15/12/2021</b>

**Drawing Title**  
**SCHEME PLAN**  
**Lots 1 - 109, 111 - 491, 600 - 601, 700 - 707, 800 - 812 & 998 - 999**  
**Being a Proposed Subdivision of Lot 2 DP 343855**  
**Detail**

Prepared for  
**For Resource Consent**

REV	DESCRIPTION	DATE
F	Schedule Easement in Gross Updated	11/08/2020
G	Amalgamation Condition Updated	15/10/2020
H	Pond Easements Added	28/10/2020
I	Lot 163, 170, 190, 191, 258, 259 Updated	23/02/2021
J	Scheme update Lot 163 to Lot 179	01/04/2021
K	Scheme update Lot 481 to 491 added	03/09/2021
L	Scheme update lot added to Stage 1A	01/11/2021
M	Scheme update Lot 111, Lot 110 deleted	15/12/2021

SCALE	<b>1:1250 @ A3</b>
DATUM & LEVEL	<b>Lindis Peak 2000</b>
LEVEL IN TERMS OF DUNEDIN VERTICAL DATUM 1958	ORIGIN: RL
DRAWING REFERENCE	<b>U4266</b>
SHEET	<b>S5</b>
REVISION	<b>M</b>
SURVEYED	<b>JL</b>
DRAWN	<b>LW</b>
CHECKED	<b>LW</b>
APPROVED	<b>LW</b>
DATE	<b>15/12/2021</b>



**Note:**

- Lot 700 to Lot 704 to be vested in the Queenstown Lake District Council as Local Purpose Reserve (Stormwater & Access)
- Lot 705 & Lot 706 to be vested in the Queenstown Lake District Council as Local Purpose Reserve (Stormwater & Recreation)
- Lot 707 to be vested in the Queenstown Lake District Council as Local Purpose Reserve (Wastewater)
- Lot 800 to Lot 812 are to vest in the Queenstown Lakes District Council as Road

**Amalgamation Conditions:**

- That Lot 998 hereon and Lot 1 DP 541414 (RT909889) be held in one Record of Title (see CSN Request 1652004)
- That Lot 999 hereon and Lot 1 DP 343855 (RT180127) be held in one Record of Title (see CSN Request 1652004)
- That Lot 111, 117, 128, 147, 159, 162 and 171 hereon be held in the same Record of Title (see CSN Request 1652004)
- That Lot 8 and Lot 479 hereon be held in the same Record of Title
- That Lot 1 - 7, 9, 10 hereon be held in the same Record of Title (see CSN Request 1652004)

Schedule of Easements			
Purpose	Shown	Burdened Land	Benefitted Land
Right of Way	A	Lot 25 Hereon	Lot 23, 24, 28 & 29 Hereon
	B	Lot 61 Hereon	Lot 58, 59, 60, 62 & 63 Hereon
	C	Lot 106 Hereon	Lot 88, 87, 107, 108 & 109 Hereon
	D	Lot 159 Hereon	Lot 160 & 161 Hereon
	M	Lot 69 Hereon	Lot 70 & 71 Hereon
	N	Lot 86 Hereon	Lot 84 & 85 Hereon
	Y	Lot 166 Hereon	Lot 167 Hereon
	Z	Lot 167 Hereon	Lot 166 Hereon
	AA	Lot 170 Hereon	Lot 172 Hereon
	AB	Lot 172 Hereon	Lot 170 Hereon
AC	Lot 175 Hereon	Lot 176 Hereon	
AD	Lot 176 Hereon	Lot 175 Hereon	
AE	Lot 171 Hereon	Lot 179 Hereon	
Schedule of Easements in Gross			
Purpose	Shown	Burdened Land	Grantee
Right to Drain Water	E	Lot 147 Hereon	Queenstown Lakes District Council
	F	Lot 998 Hereon	Queenstown Lakes District Council
	G	Lot 117 Hereon	Queenstown Lakes District Council
	H	Lot 998 Hereon	Queenstown Lakes District Council
	I	Lot 128 Hereon	Queenstown Lakes District Council
	J	Lot 998 Hereon	Queenstown Lakes District Council
	K	Lot 159 Hereon	Queenstown Lakes District Council
	L	Lot 998 Hereon	Queenstown Lakes District Council
	O	Lot 807 Hereon	Queenstown Lakes District Council
	P	Lot 809 Hereon	Queenstown Lakes District Council
Q	Lot 810 Hereon	Queenstown Lakes District Council	
R	Lot 811 Hereon	Queenstown Lakes District Council	
S	Lot 118 Hereon	Queenstown Lakes District Council	
T	Lot 119 Hereon	Queenstown Lakes District Council	
UVWX	Lot 1 DP541414 Hereon	Queenstown Lakes District Council	

